

**Series 83 - Electromni®**

**Standard Features (Sizes 1/2" – 2")**

- PVC or CPVC Omni valve (or other Asahi ball valves and multiport ball valves up to 2")
- 2-part PTFE seats with EPDM backing
- Available in threaded and socket models
- 115 VAC single phase thermally protected
- 2.1 amps unidirectional 1/4-turn motor
- 5 second cycle time
- Actuator housing of high impact ABS, Type 4X. weatherproof

**Options**

- Other voltages (see table)
- Extra limit switch (SPDT) for sequencing with other equipment or remote indicator lights, built into base, displaying OPEN or CLOSED position
- 2-wire control that can be used for retrofitting solenoids (must provide constant voltage), or for direct-wiring timers, level switches, etc.

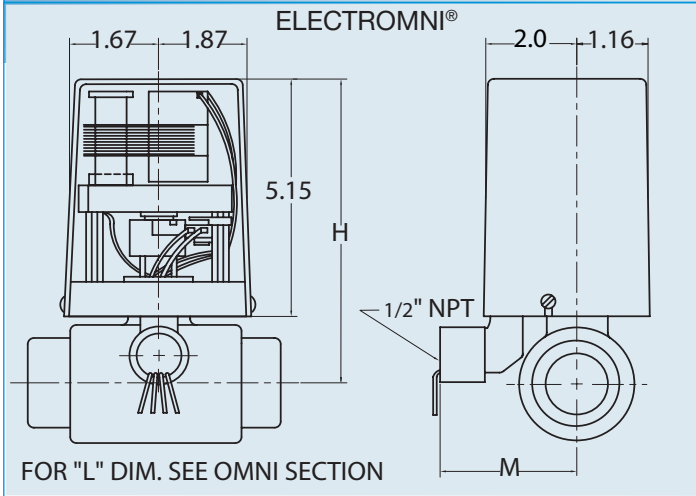
**Sample Specification**

All open/close electrically actuated ball valves sizes 3/8" thru 2" shall have direct mounted unidirectional 90° turn actuators (115 VAC & 220 VAC, 12/24 AC & DC shall be reversing). Actuator shall be weatherproof (Type 4X), have a green lead for grounding, and all wire leads protruding from 1/2" NPT conduit entry for customer hook-up. All valves shall be OMNI® ball valves, size 3/8" – 2", and shall be of one-piece, compact design, non-union type. All O-rings shall be EPDM or FKM with PTFE seats. Seats must have elastomeric backing cushions of the same material as the valve seals. PVC conforming to ASTM D1784 Cell Classification 12454-A, and CPVC conforming to ASTM D1784 Cell Classification 23567-A. Valve shall be rated 150 psi at 70° F, as manufactured by Asahi-America, Inc.

**Specifications**  
**Series 83: Motor Type - Unidirectional,**  
 Single phase  
 Size - A83 1/2" - 2" valves  
 Torque - 120 in-lbs  
 Voltage - 120 VAC, 50/60 Hz  
 Amp Draw - 2.1 Amps  
 Temp - Ambient Temp - 150 °F  
 Switches - One single pole, Double throw (15 Amp rating)  
 Corrosion/Weather proof - Type 4X



**Series 83 -Electromni®**



**Wt./Dimensions**

NOMINAL SIZE		WT. (LBS.)	H	M
INCHES	mm			
3/8	13	1.75	5.84	2.75
1/2	15	1.75	5.84	2.75
3/4	20	2.00	6.24	2.75
1	25	2.50	6.25	2.75
1 1/2	40	3.00	6.33	2.75
2	50	4.00	6.65	2.75

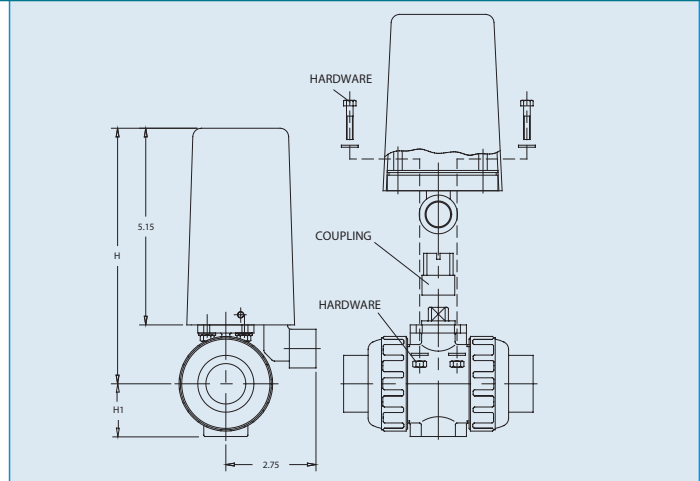
**Voltage**

Voltage	Current Draw (amps)	Cycle Time (sec)	Duty Cycle (%)
115 Vac	2.10	5	25
220 Vac	.60	5	25
12 Vac	2.25	5	75
24 Vac	4.00	5	75
12 Vdc	2.00	5	75
24 Vdc	3.50	5	75

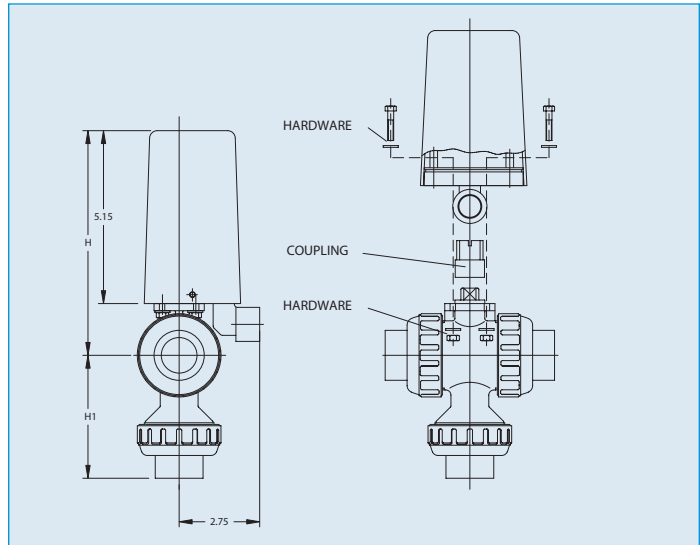
# Electrically Actuated Ball Valves



**Series 83 on Type 21 Ball Valve**

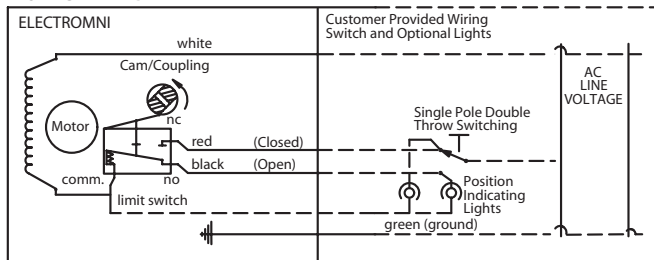


**Series 83 on Multiport Ball Valve**

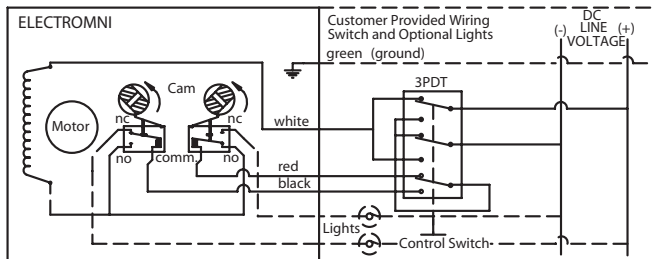


## Wiring

### 115 VAC WIRING



### 24 VDC WIRING



TO CLOSE: NEG. TO WHITE POS. TO BLACK  
TO OPEN: POS. TO WHITE NEG. TO RED

## Dimensions (IN.)

### SERIES 83 ON TYPE 21 (1/2"-2")

NOMINAL SIZE		H	H1*
INCHES	mm		
1/2	15	6.33	1.14
3/4	20	6.59	1.38
1	25	6.86	1.54
1 1/2	40	7.55	1.85
2	50	8.00	2.60

\*PVC/CPVC Socket End FOR FEATURES OF SERIES 83 ACTUATOR, SEE PAGE 17.

## Dimensions (IN.)

### SERIES 83 ON MULTIPORT (1/2"-2")

NOMINAL SIZE		H	H1*
INCHES	mm		
1/2	15	6.33	3.08
3/4	20	6.59	3.56
1	25	6.86	4.32
1 1/2	40	7.55	5.71
2	50	8.00	6.66

\*PVC/CPVC Socket End FOR FEATURES OF SERIES 83 ACTUATOR, SEE PAGE 17.